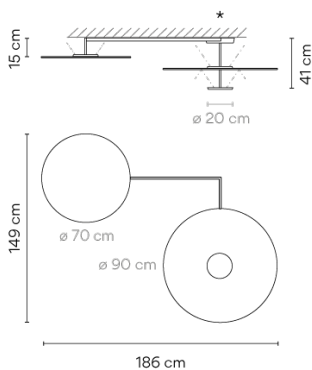


## 5924

Design By Ichiro Iwasaki

Flat is a large ceiling lamp made up of horizontal discs at various heights that create planes of reflected light. The discs are self-illuminated by reflected light. The Flat ceiling light has a strong graphic quality, combining structure and functionality.

### Model Sheet



|               |                                                     |
|---------------|-----------------------------------------------------|
| <b>Finish</b> | 72 White, Green L1<br>NCS S 0300-N, NCS S 4005-G80Y |
|               | 73 White, Off-White<br>NCS S 0300-N, NCS S 1000-N   |
|               | 10 White<br>NCS S 0300-N                            |

**LED temperature color** 2700 K

**Dimming** DALI 1-10V Push  
**Optional** Casambi  
Min. quantity, upcharge and extra lead time apply [EN]

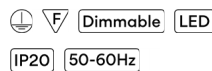
**Installation type** Surface Canopy

**Materials**  
Ceiling rose: Steel  
Reflector: Aluminum  
Body: Steel  
Head: Aluminium

**Light source** 3 x LED PLATE 25W 700mA  
D

**LED** CRI>90 10440 lm 139.20  
2700 K

**Driver** CC - Constant Current 700  
220-240 V 50/60 HZ



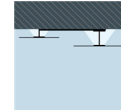
**Application** Ceiling Lamps

**Packaging**  
1 Box  
1.275 m x 1.06 m x 0.46 m  
Gross weight 62  
Net weight 19.98  
Vol. 0.6216

#### Lighting effect

##### General Lighting

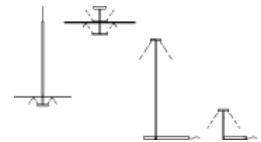
Lamp that emits an upward or backward beam that is reflected by the ceiling or wall.



#### Photometric Data

**Efficiency** 88.00 lm/W  
**Coordinate System** CG  
**Total Flux** 7154.22 lm  
**Maximum Value** 2122.35 cd

#### Other Applications



All of our products come with a five-year warranty.  
Check our legal terms at [www.vibia.com/warranty](http://www.vibia.com/warranty)